

CL-FTC

## Wiring Harness for Cargo Lighting 2017-2021 Ford Transit Connect

**INSTALLATION MANUAL**



## Thank you for purchasing the **CL-FTC**

---

### Table of Contents

- Page 3** - Tools Required For Installing Additional Accessories
- Page 8** - Wiring Diagram

### WHAT'S INCLUDED:

- Vehicle Specific Wire Harness (CL-FTC)

### COMPATIBLE ACCESSORIES:

- LED Dome Lamp (STL40489-2)
- 2570mm Roof Bow Harness (P-HARRB3)
- 3470mm Roof Bow Harness (P-HARRB4)



## TOOLS REQUIRED:

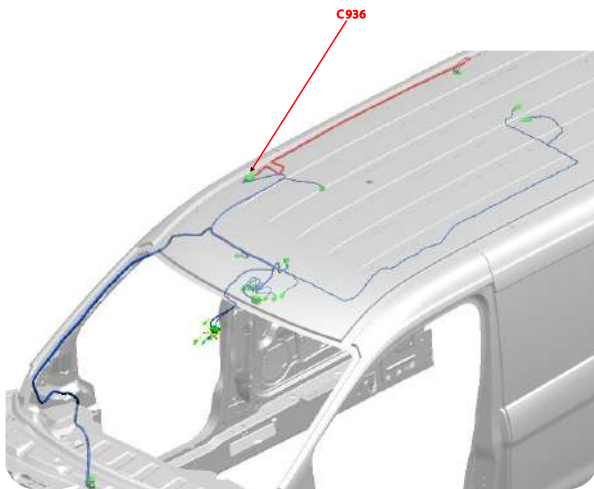


1. Diagonal Cutters
2. Phillips #2 Drill Bit
3. Drill



## STEP 1:

Locate the OEM Cargo Lamp connection that is above the headliner on the passenger side of the vehicle. Note: Easiest to access from back edge of headliner.



## STEP 2:

Unplug the OEM Cargo Lamp connectors and install the CL-FTC harness between the two connectors.



### STEP 3:

Install the STL40489-2 lights onto the center of the vehicle's roof bow; **leave the light connector exposed**

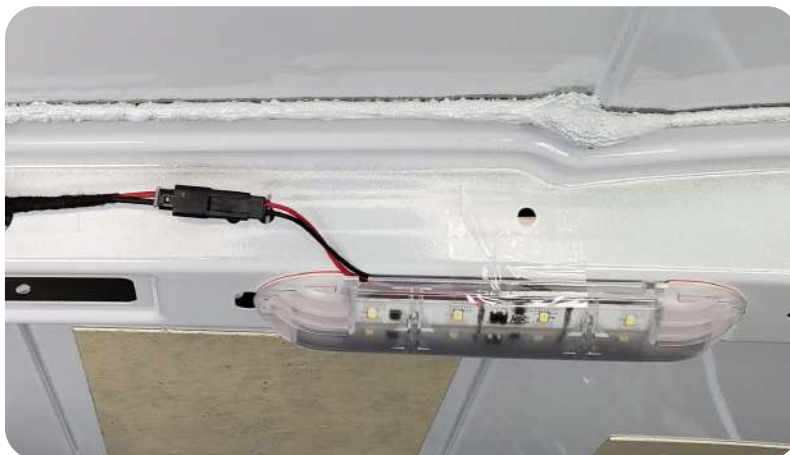
- Peel the red adhesive liners off of the STL40489-2 and stick the light in place
- Use the provided 3/4" screws to secure the light to the roof rib



### STEP 4:

Connect the appropriate P-HARRBx roof bow harness to each installed STL40489-2 light.

- Refer to the diagram on page 8 to confirm proper P-HARRBx for each roof bow



## STEP 5:

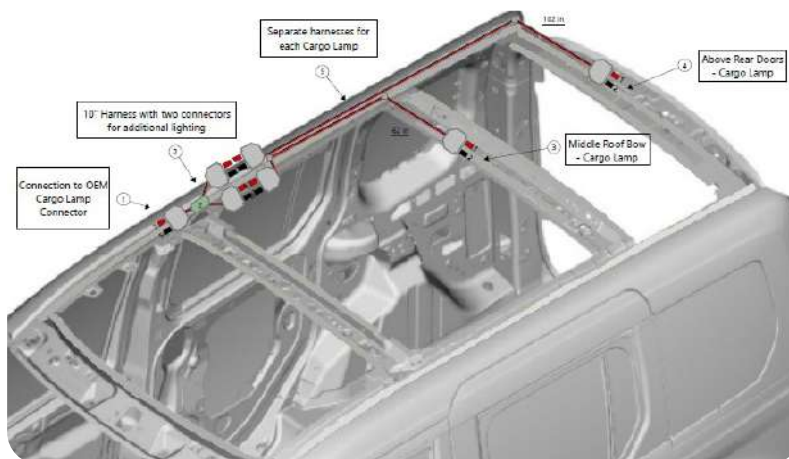
Use the fir tree cable ties that are packaged with each P-HARRBx to secure the harness to the vehicle's roof bow. Trim off excess cable tie material with diagonal cutters after harness is secure. (Photo below is for reference only)



## STEP 6:

Route all P-HARRBx roof bow harnesses inside the channel that runs along the passenger/curbside roof line

- Trim off excess cable tie material with diagonal cutters



## STEP 7:

Plug all installed P-HARRBx harnesses into the mating connectors on the CL-FTC harness.

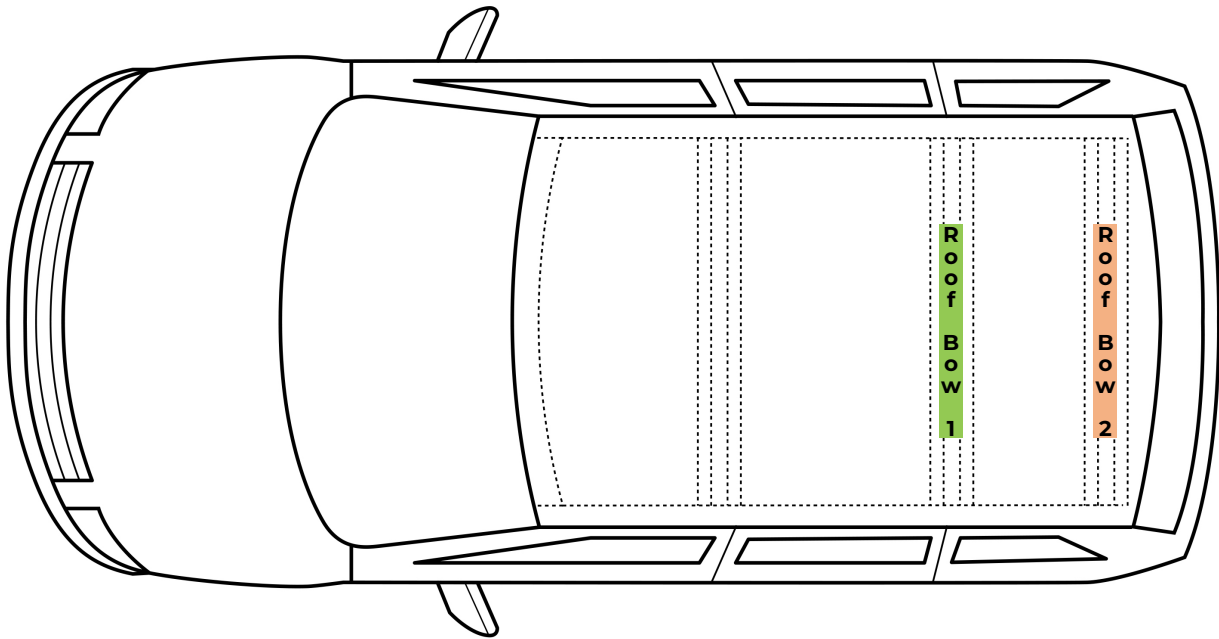


## STEP 8:

Confirm all installed STL40489-2 lights are operational



Vehicle	Roof Bow 1	Roof Bow 2
Transit Connect	P-HARRB3	P-HARRB4







Phone – 866-766-2267

E-Mail – [support@aampglobal.com](mailto:support@aampglobal.com)



**EchoMaster is a Power Brand of AAMP Global**

[EchoMaster.com](http://EchoMaster.com)