



CL-RPM

Wiring Harness for Cargo Lighting 2015-2021 Promaster City & 2018-2021 Promaster

INSTALLATION MANUAL



Thank you for purchasing the **CL-RPM**



Table of Contents

- Page 3** - Tools Required For Installing Additional Accessories
- Page 4** - Ram Promaster Installation
- Page 7** - Ram Promaster City Installation
- Page 10** - Wiring Diagram

WHAT'S INCLUDED:

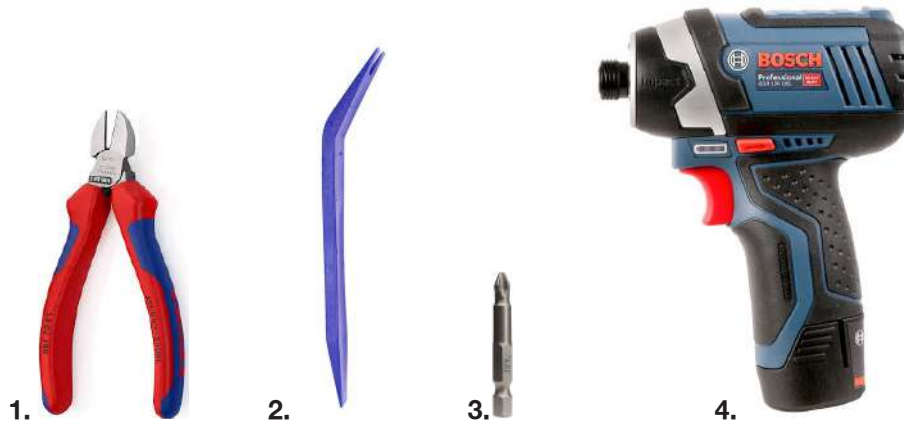
- Vehicle Specific Wire Harness (CL-RPM)

COMPATIBLE ACCESSORIES:

- LED Dome Lamp (STL40489-2)
- 1100mm Roof Bow Harness (P-HARRB1)
- 1570mm Roof Bow Harness (P-HARRB2)
- 2570mm Roof Bow Harness (P-HARRB3)
- 3470mm Roof Bow Harness (P-HARRB4)
- Adapter Harness (CL-ADP)
 - Note:** Required when installing more than 4 lights in a vehicle



TOOLS REQUIRED:



1. Diagonal Cutters
2. Panel Removal Tool
3. Phillips #2 Drill Bit
4. Drill



STEP 1:

Remove the OEM cargo lamp that is located on the passenger side roof line behind the slider door with a panel removal tool

Note: The factory light will no longer be used



STEP 2:

Disconnect the OEM connector from the light and plug it into the CL-RPM Harness



STEP 3:

Install the STL40489-2 lights onto the center of each roof bow; **leave the light connector exposed**

- Peel the red adhesive liners off of the STL40489-2 and stick the light in place
- Use the provided 3/4" screws to secure the light to the roof ribconnectors.



STEP 4:

Connect the appropriate P-HARRBx roof bow harness to each installed STL40489-2 light.

- Refer to the diagram on page 10 to confirm proper P-HARRBx for each roof bow
- Use the provided fir tree cable ties to secure the harness to the vehicle's roof bow
- Trim off excess cable tie material after harness is secure



STEP 5:

Route all P-HARRBx roof bow harnesses alongside the OEM wire harnesses on the passenger side roof line.

- Tuck the harnesses into place; inside vehicle cavities

STEP 6:

Plug all installed P-HARRBx harnesses into the mating connectors on the CL-RPM harness.

- Confirm all installed STL40489-2 lights are operational



STEP 1:

Remove the OEM cargo lamp that is located on the passenger side roof line behind the slider door with a panel removal tool

Note: The factory light will no longer be used



STEP 2:

Disconnect the OEM connector from the light and plug it into the CL-RPM Harness



STEP 3:

Install the STL40489-2 lights onto the center of each roof bow; **leave the light connector exposed**

- Peel the red adhesive liners off of the STL40489-2 and stick the light in place
- Use the provided 3/4" screws to secure the light to the roof ribconnectors.



STEP 4:

Connect the appropriate P-HARRBx roof bow harness to each installed STL40489-2 light.

- Refer to the diagram on page 10 to confirm proper P-HARRBx for each roof bow
- Use the provided fir tree cable ties to secure the harness to the vehicle's roof bow
- Trim off excess cable tie material after harness is secure



STEP 5:

Route all P-HARRBx roof bow harnesses alongside the OEM wire harnesses on the passenger side roof line.

- Tuck the harnesses into place; inside vehicle cavities

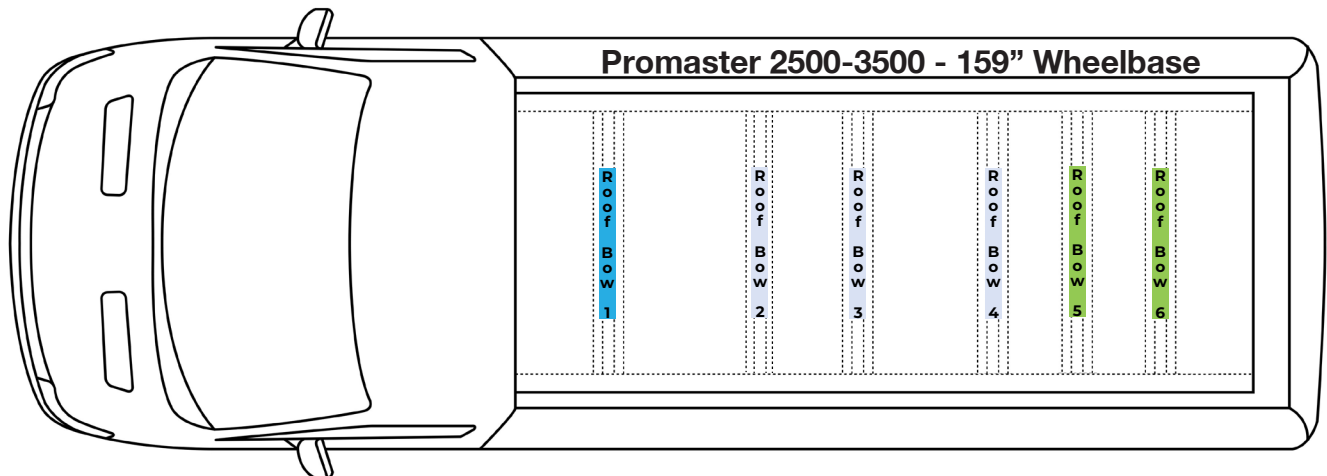
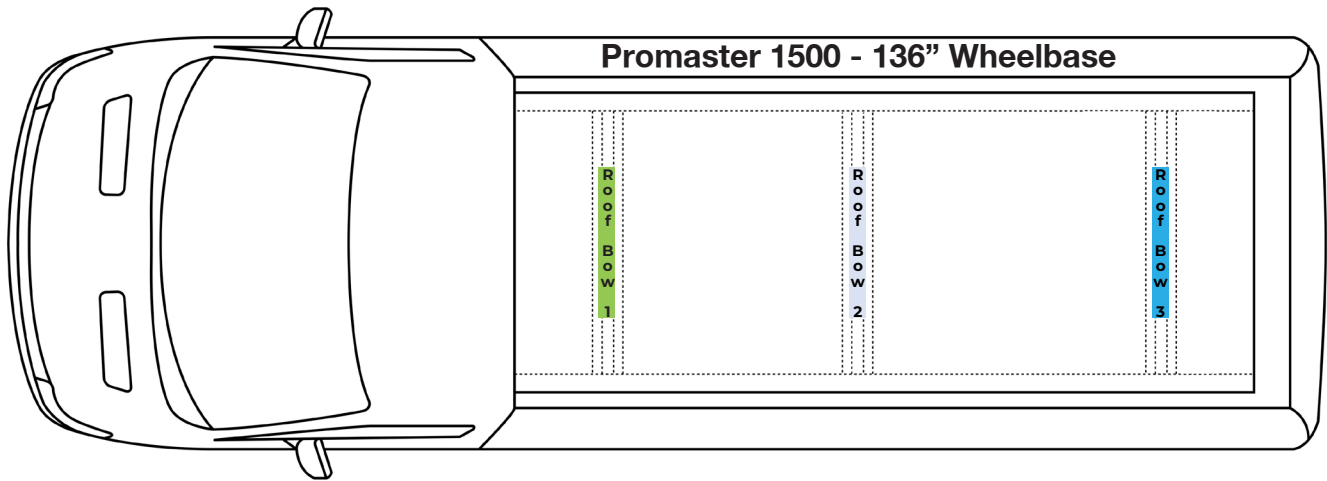
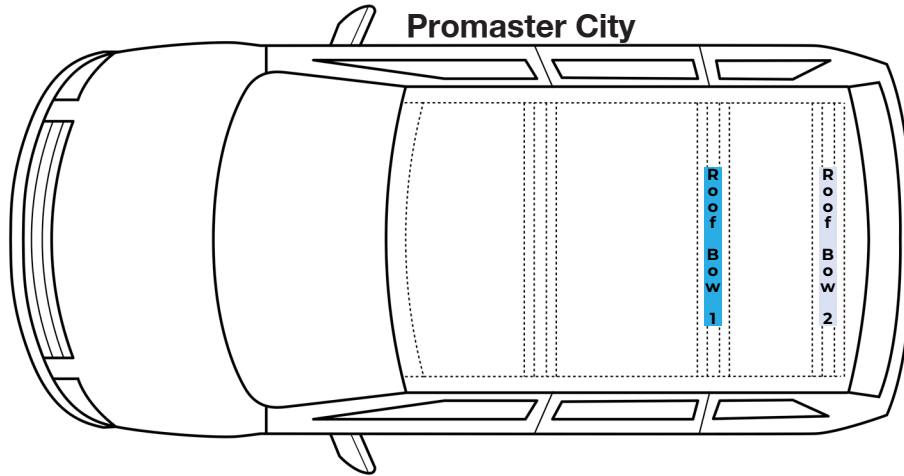
STEP 6:

Plug all installed P-HARRBx harnesses into the mating connectors on the CL-RPM harness.

- Confirm all installed STL40489-2 lights are operational



Vehicle	Roof Bow 1	Roof Bow 2	Roof Bow 3	Roof Bow 4	Roof Bow 5	Roof Bow 6
Promaster City	P-HARRB2	P-HARRB1	N/A	N/A	N/A	N/A
Promaster 1500 136" WB	P-HARRB3	P-HARRB1	P-HARRB2	N/A	N/A	N/A
Promaster 2500-3500 159" WB	P-HARRB2	P-HARRB1	P-HARRB1	P-HARRB1	P-HARRB3	P-HARRB3





Phone – 866-931-8021 (option 3)

E-Mail – support@echomasterfleetsolutions.com.



EchoMaster Fleet Solutions is a Power Brand of AAMP Global

EchoMaster.com